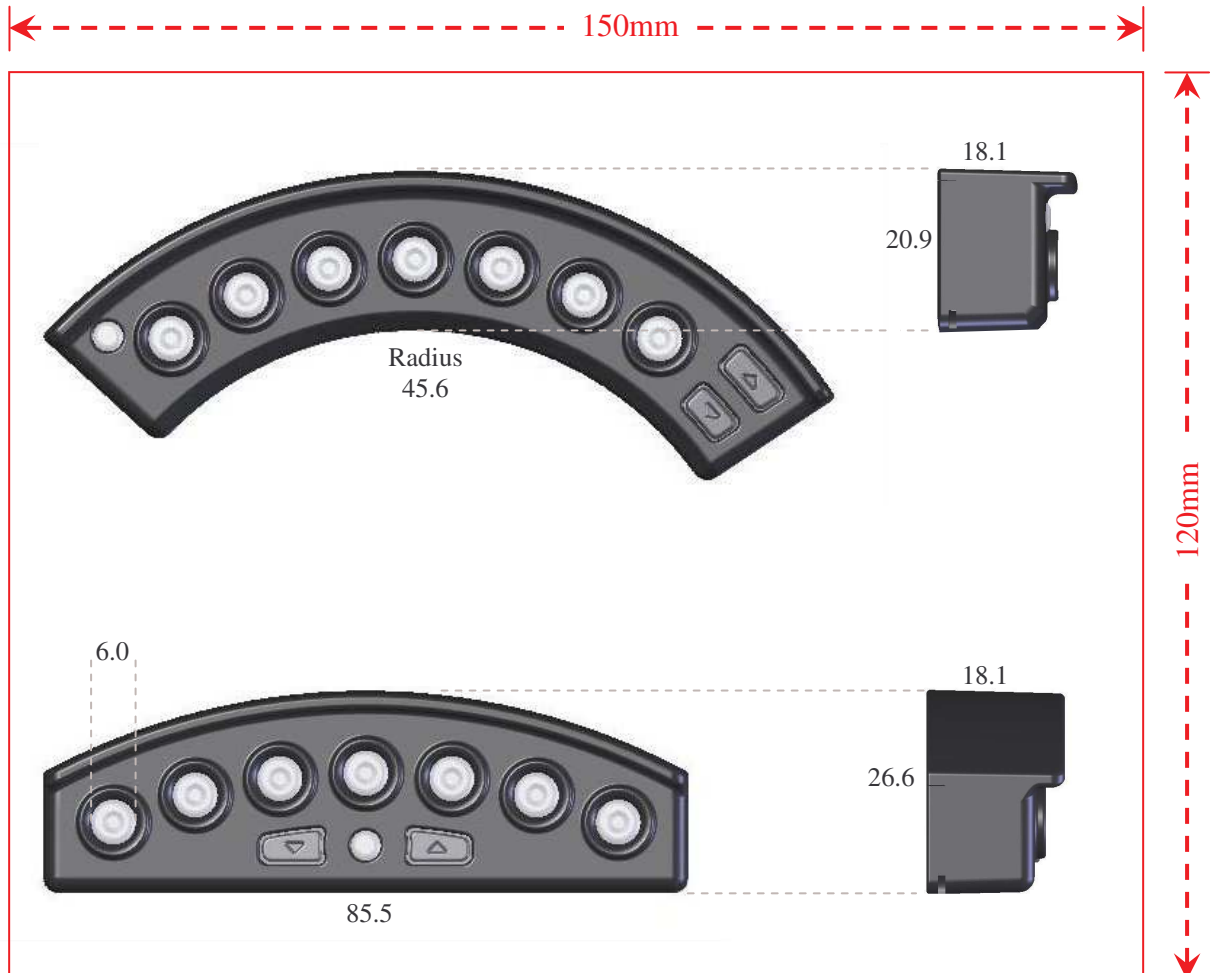


# Shift-I™ 1:1 Cut Out

These pictures may be printed with a 1:1 scale and used as a guide to assist in determining fitment. They are only to be used as a rough guide. After printing this page, [verify the dimensions provided](#) to ensure the images are reproduced to scale by the printer for both horizontal and vertical dimensions.



If the dimensions shown do not match with a ruler measurement, check the printing options. Choose File → Print, and then search for an option to have no print scaling.



Also keep in mind, some fitments only need a simple bracket to position where desired.